

BlueEyes[®]

Pan Tilt Driver for iCam/iCam PRO



Operation Manual

2015/10/06

www.BlueEyes.tw



Operation manual

Pan Tilt Driver for iCam/iCam PRO

Thank you for using the product of BlueEyes Technology.

The manual will introduce the product of BlueEyes Technology. Please read the manual before you start using the product.

Though the information in the manual has been verified before publish, the actual specification should be based on the actual shipment. BlueEyes Technology doesn't have to guarantee, proclaim or declare for the content, along with other purpose. In addition, the product specification and information that mentioned in the manual is for reference only. The content might be update at any time without notice. If there is any mistake of the information, including software, firmware, and hardware that mentioned in the manual BlueEyes Technology has no responsibility for the mistake.

Please reach BlueEyes website to get the upgrade of the product specification, our company will not notice you. If you want to get the latest product information, operation manual, firmware, or you have any question to the products of BlueEyes Technology, please contact your local agent or go to the official website of BlueEyes Technology for further information.

It is not allowed to copy/ use the content or to change the information and publishing of the manual without BlueEyes Technology's written consent.

Copyright 2015 BlueEyes Technology Inc. All Rights Reserved.

BlueEyes Technology Corp.

Add: 7F-3, No.200, Sec. 4, Wenxin Rd., North District, Taichung City 40462, Taiwan

TEL: +886 4 2297 0977 / +886 982 842 977

Fax: +886 4 2297 0957

E-mail : support@blueeyes.com.tw

Website: www.BlueEyes.tw



Index

Operation manual.....	1
1. Description	3
1.1 Looks.....	3
1.2 Specification chart.....	4
1.3 Size chart	5
1.4 Assemble	6
1.5 Horizontal rotation	7
1.6 Vertical rotation.....	8
2. Assemble	9
2.1 Device assemble and fix	9
2.1.1 Fix on the wall.....	9
2.1.2 Assemble iCam/iCam PRO camera	10
2.1.3 Connect control wire	11
2.1.4 Connect to power cord	12
2.1.5 Connect to power cord	12
2.2 Camera setting	13
2.3 Install iCam Live monitor software.....	13
3. Function operation (iCam Live)	15
3.1 Rotation	15
3.2 Set the speed of rotation.....	15
3.3 Preset point	16
3.4 Other order.....	18

1. Description

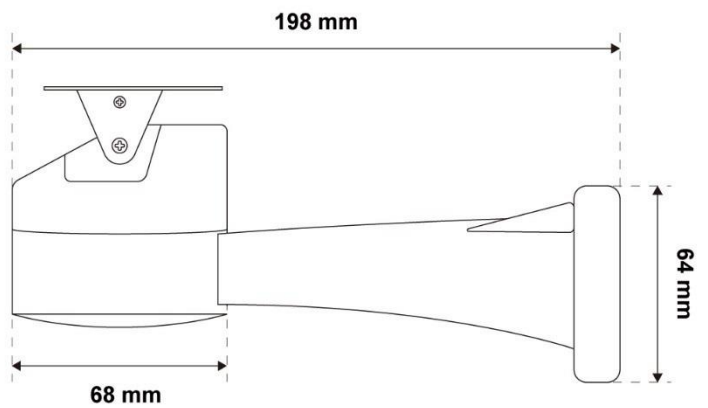
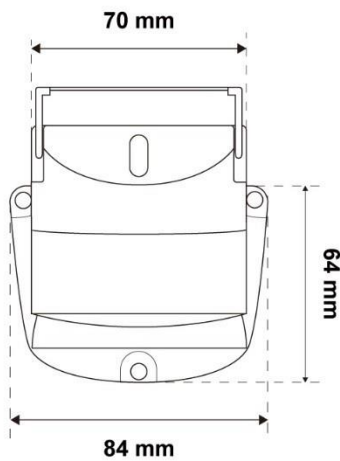
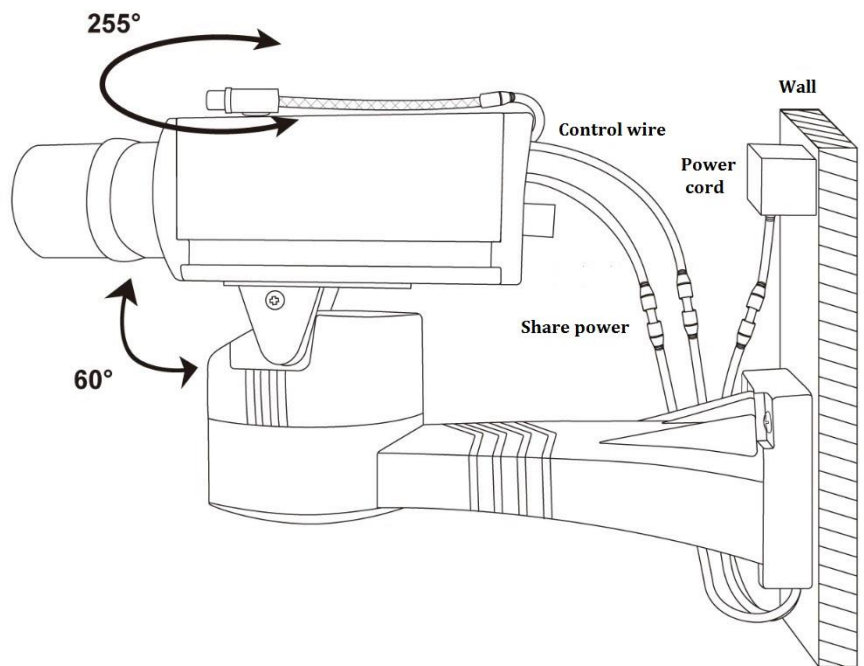
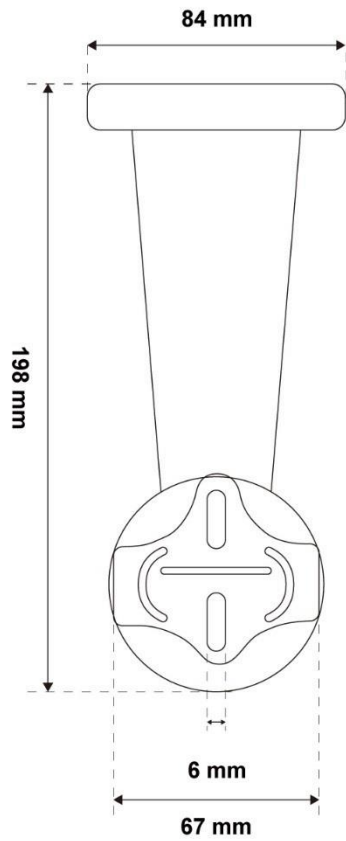
1.1 Looks



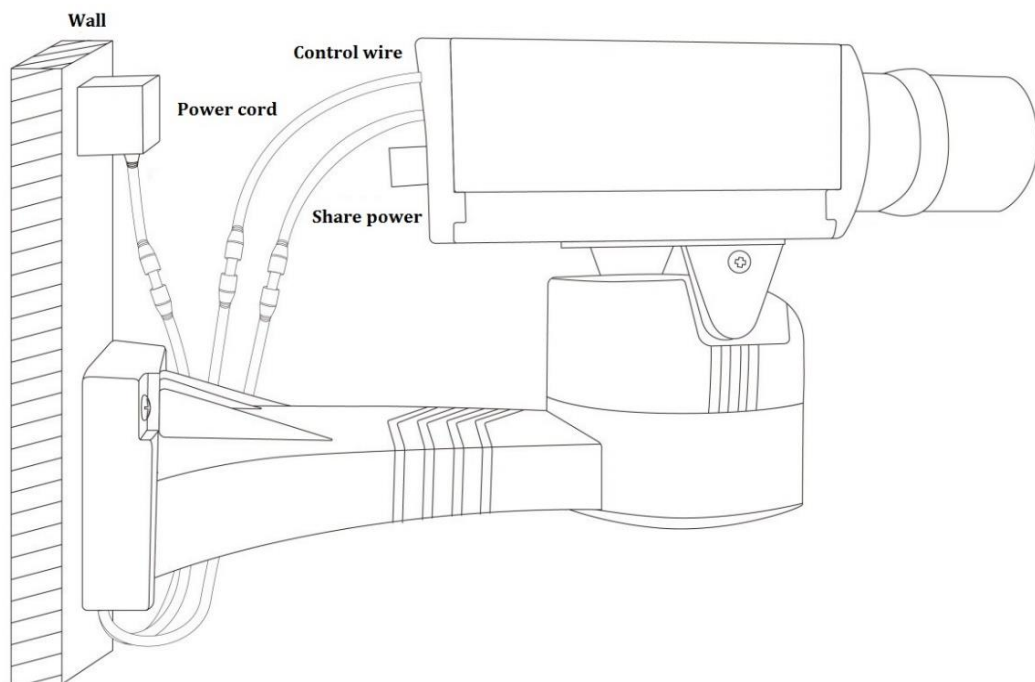
1.2 Specification chart

Horizontal rotation angle	255 degrees
Vertical rotation angle	60 degrees
Horizontal rotation speed	6 degrees/ second、 12 degrees/ second、 20 degrees/ second (adjustable)
Vertical rotation speed	6 degrees/ second
Left-right limitation	left-right electricity limitation
Scan automatically	6 degrees/ second、 12 degrees/ second、 20 degrees/ second (adjustable)
Preset point	8 preset points
Home point	yes
Manually return function	yes
Control method	RS-485
Protocol	PelcoD
Serial transmit speed	2400
Connector	DC power + RS-485
Power	DC 12V±5% / 100mA
Power consumptive	1.4W
Work environment	0-55°C , humidity <95%(condensing)

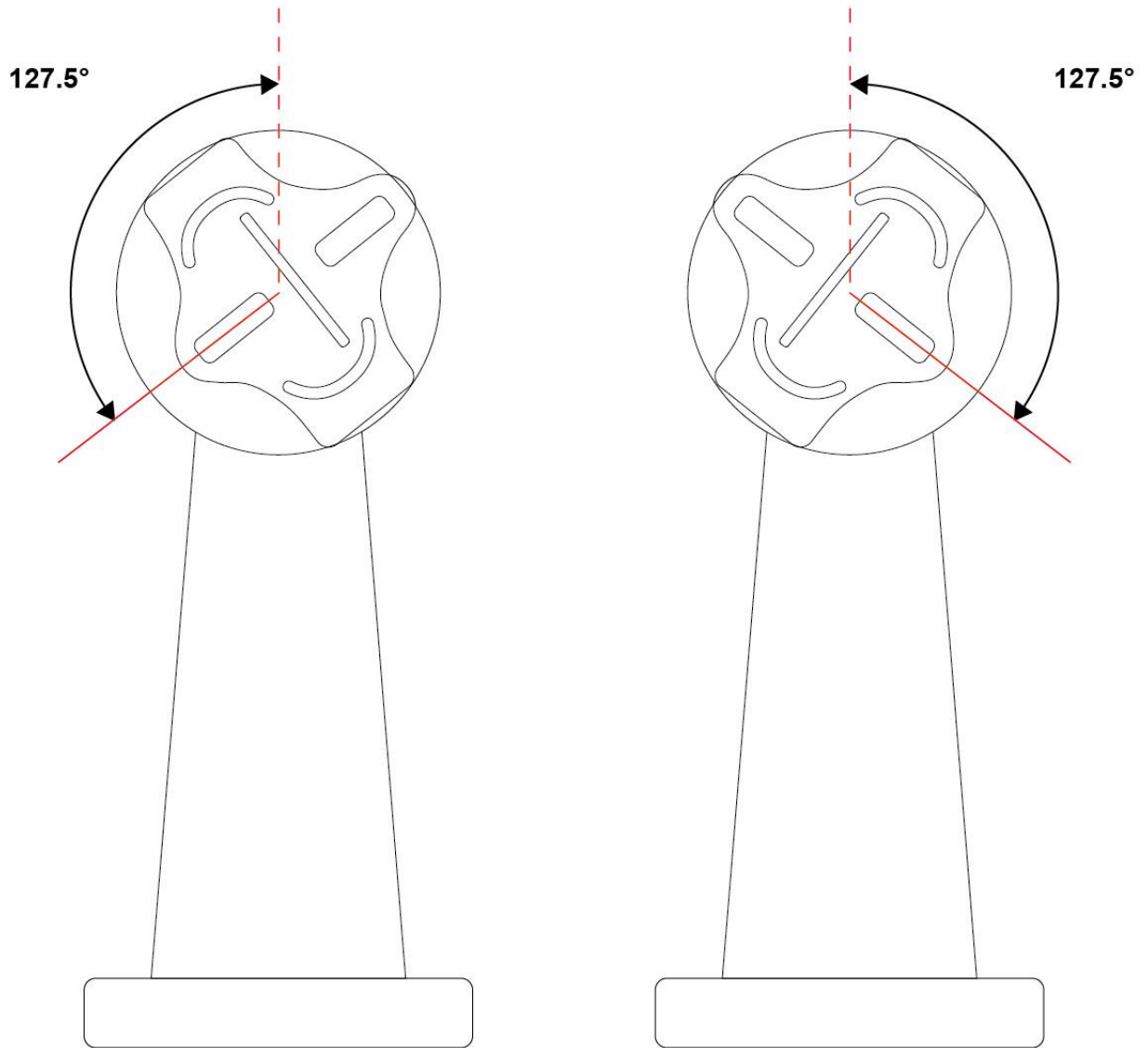
1.3 Size chart



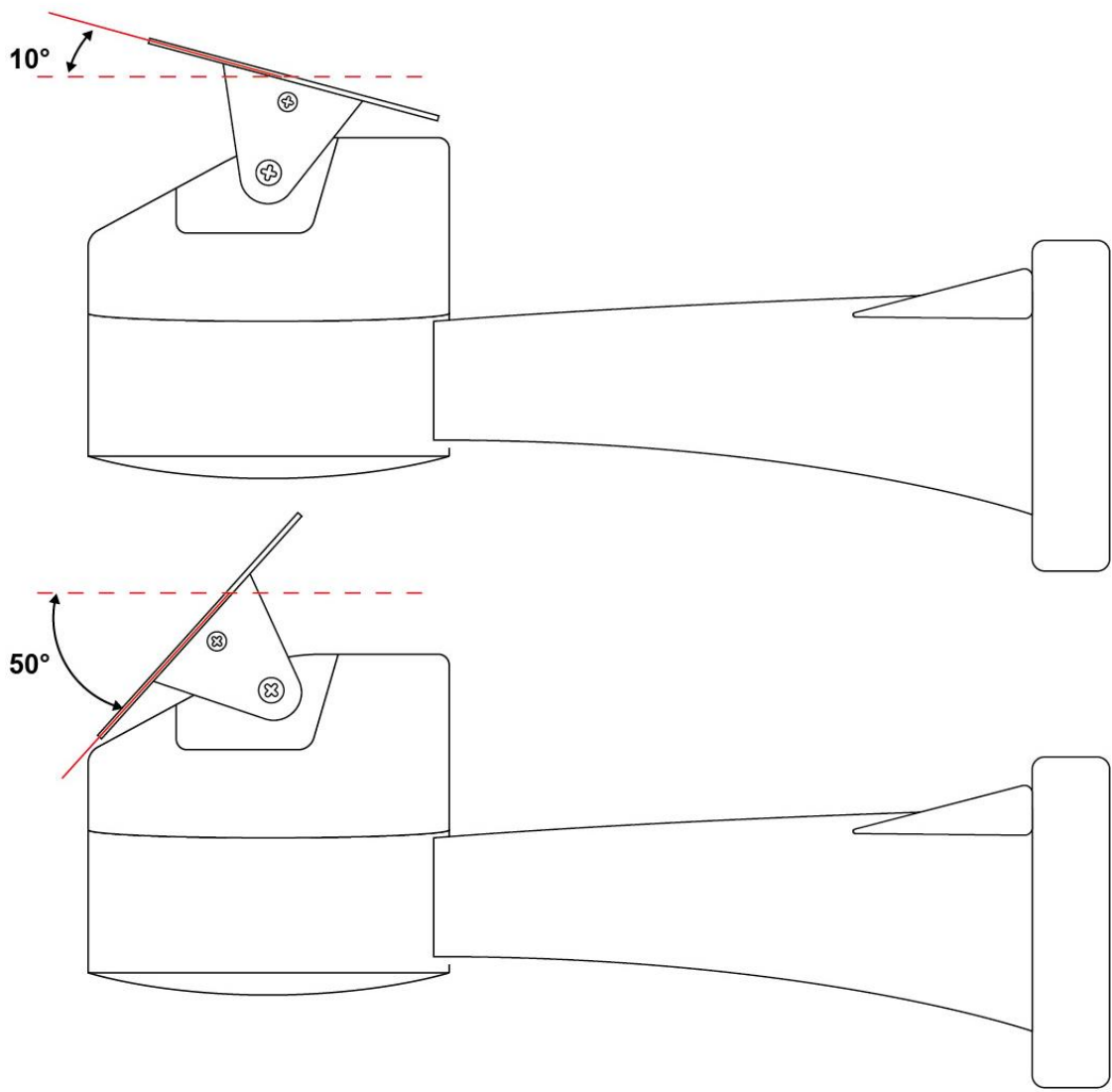
1.4 Assemble



1.5 Horizontal rotation



1.6 Vertical rotation



2. Assemble

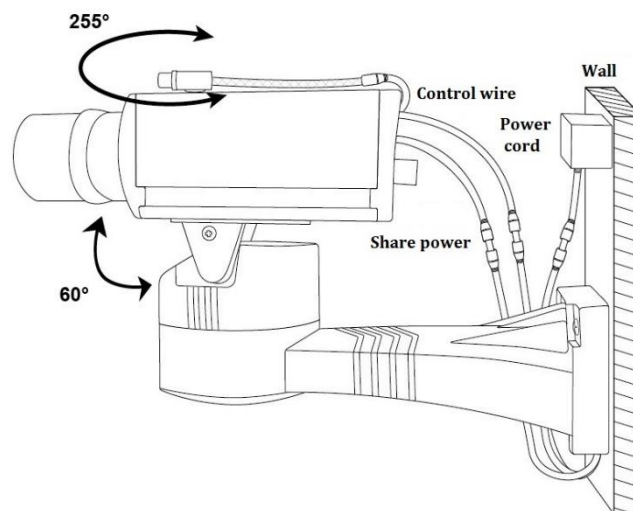
2.1 Device assemble and fix

Please assemble the camera on the pan tilt driver and fix it on the wall by follow the steps.

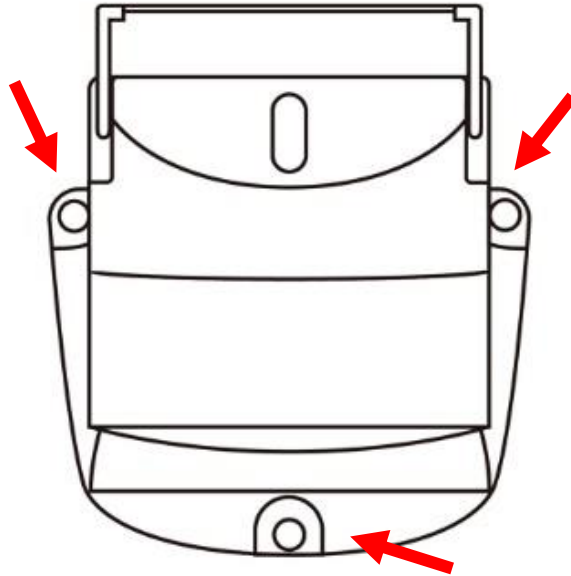
2.1.1 Fix on the wall

Please use three screws (types of screw depends on material of wall) to fix pan tilt driver on the wall.

Attention! The pan tilt driver is not supposed to be fixed on the ceiling or hanging. The only way to assemble the camera is fix on the pan tilt driver, and fix the pan tilt driver on the wall vertically. As following.

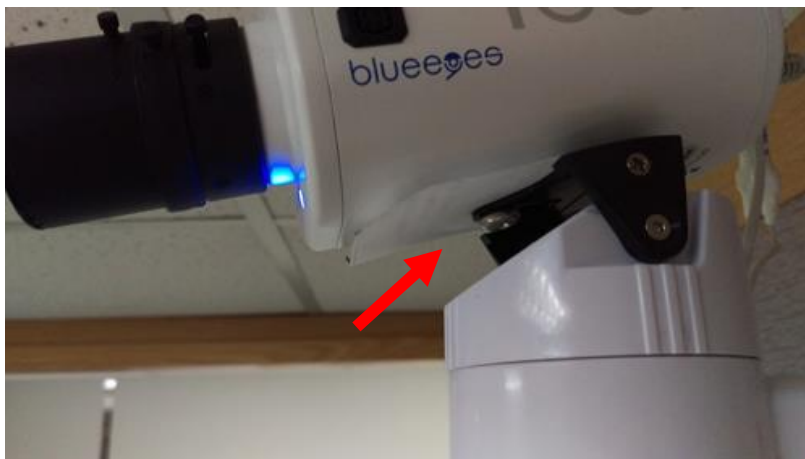


If the wall is wooden, to avoid falling, be sure to make it fix steady.



2.1.2 Assemble iCam/iCam PRO camera

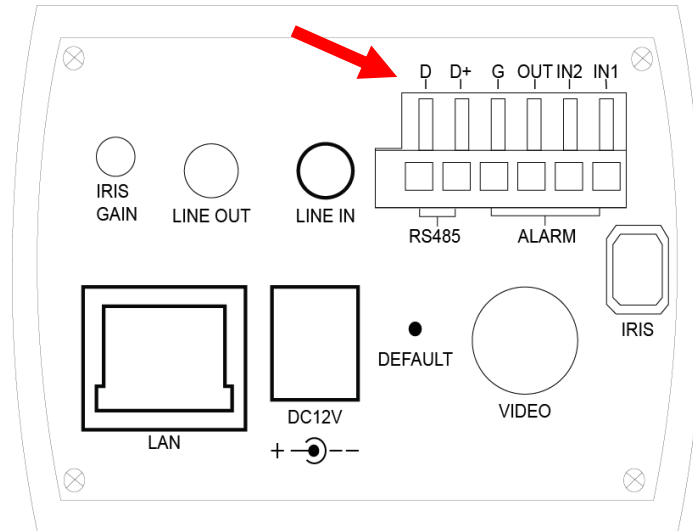
Take the screws out of pan tilt driver (each one on the each side), assembling the camera on the iCam/iCam PRO camera. Please lock the camera back to the pan tilt driver (each one on the each side).



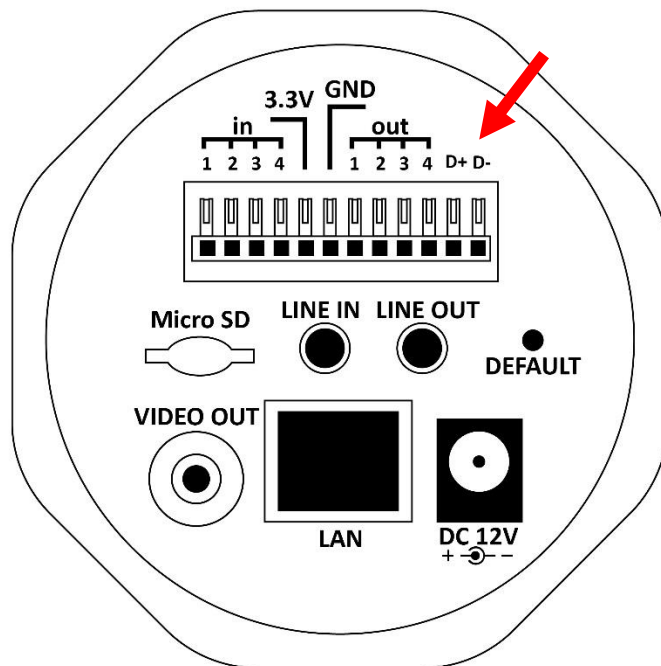
There is a little noise of motor when pan tilt driver is rotating. To avoid the noise, we recommend you use input.

2.1.3 Connect control wire

Please insert the control wire into D+ and D-. Owing to special design, the order of D+ and D- will not affect its' working.



Reverse side of iCam



Reverse side of iCam PRO

2.1.4 Connect to power cord

Connect pan tilt driver “share power” to the iCam/iCam PRO



2.1.5 Connect to power cord

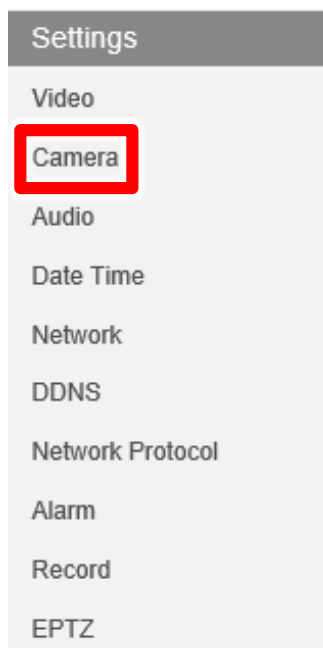
Connect the one side DC12V transformer to the pan tilt driver, the other side to socket (AC 110/220V).



When fix the pan tilt driver on the wall, please make sure using the suitable screw based on the material of wall.

2.2 Camera setting

Using Microsoft Internet Explorer and enter the IP of iCam/iCam PRO.

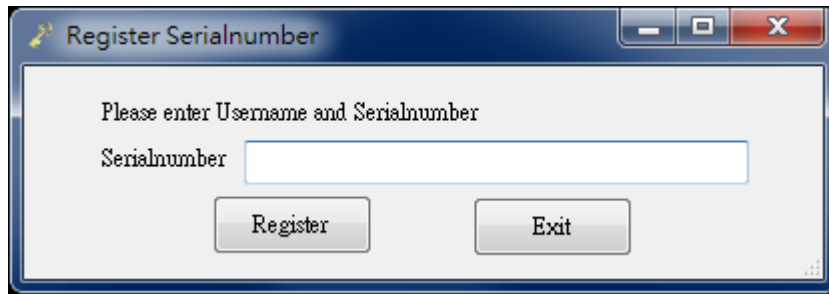


「2400」。 Please set “PTZ”, portocol set for “PelcoD” and serial transmit speed set for “2400”.

PTZ	
Protocol	PelcoD ▼
Device ID	1 ▼
Baud Rate	2400 ▼
Speed	16 ▼
Min. Move Time	0 ▼ sec

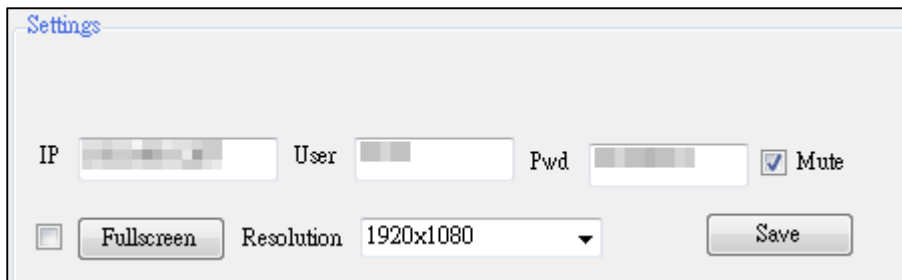
2.3 Install iCam Live monitor software

Please install iCam Live software into desk-top computer or notebook (Windows 7/8/10). Enter serial number after opening it.



Please get the serial number from consignee/commercial agent.

Please fill IP, user, pwd and click “save”.

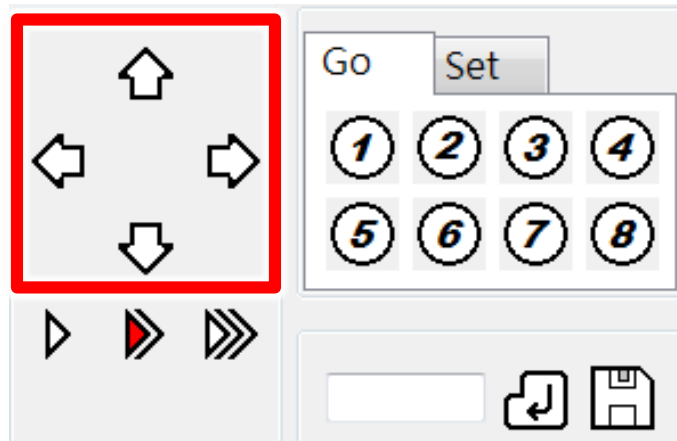


IP	IP of iCam/iCam PRO.
User	User of iCam/iCam PRO.
Pwd	Password of iCam/iCam PRO.
Mute	Click can switch to mute.
Fullscreen	Fullscreen can make it auto-work. “Esc” can leave fullscreen.
Resolution	Set camera resolution 1920x1080, 1280x720.
Save	Save presently data.

3. Function operation (iCam Live)

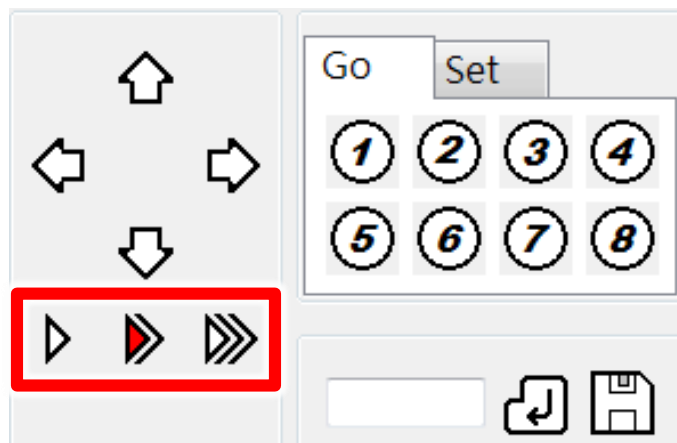
3.1 Rotation

You can press “up”, “down”, “left”, “right” or keep pressing (keep pan tilt driver rotating).



3.2 Set the speed of rotation

There are three types of speed of rotation which build-in pan tilt driver. By pressing triangle sign can switch to 6 degrees /second, 12 degrees /second and 20 degrees/ second.



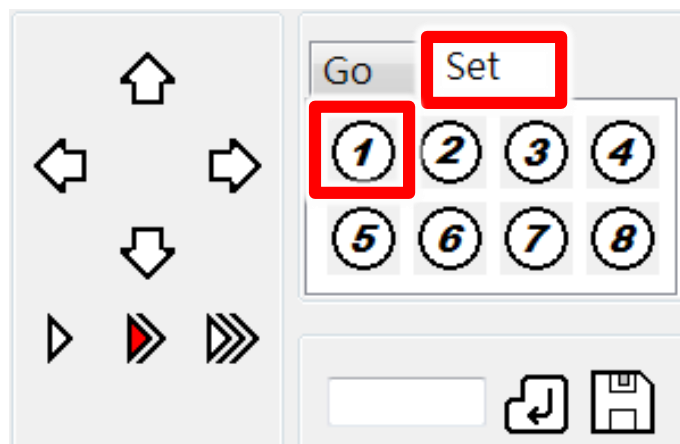


We recommend you if the camera distance is far, switching to low speed; distance is close, switching to high speed.

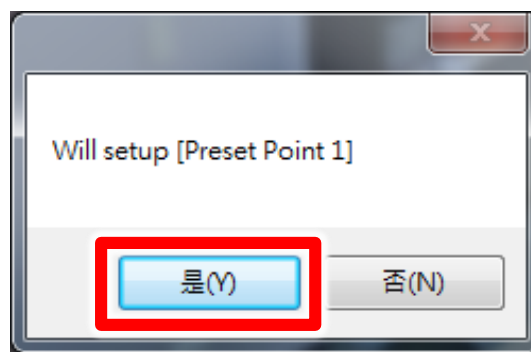
3.3 Preset point

Set preset point can switch the monitor to different recording place. There are 8 preset points.

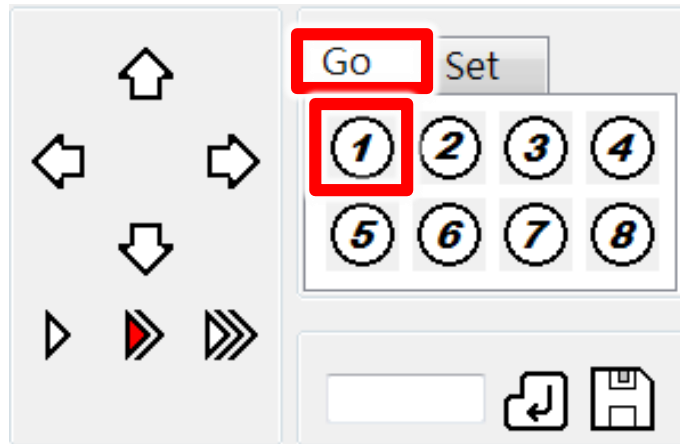
Click “set” and choose “1” to set previous monitor as preset point 1.



Click “yes” to set the preset point 1.

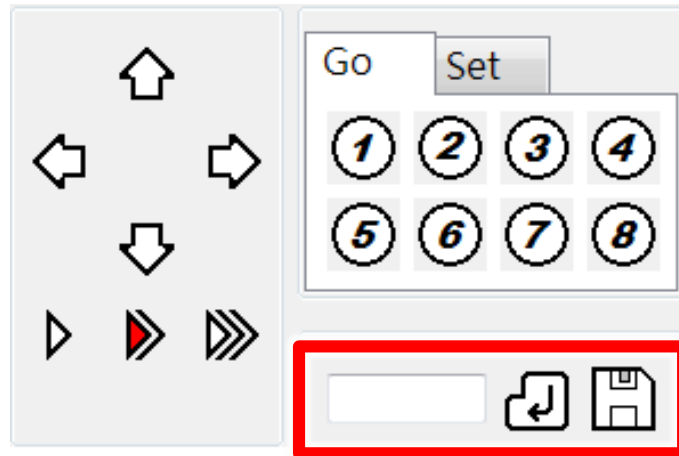


Click “go” and choose “1” can move to preset point 1.



3.4 Other order

Enter the other orders into the block.



Note

Note

Note

BlueEyes[®]
<http://www.BlueEyes.com.tw>